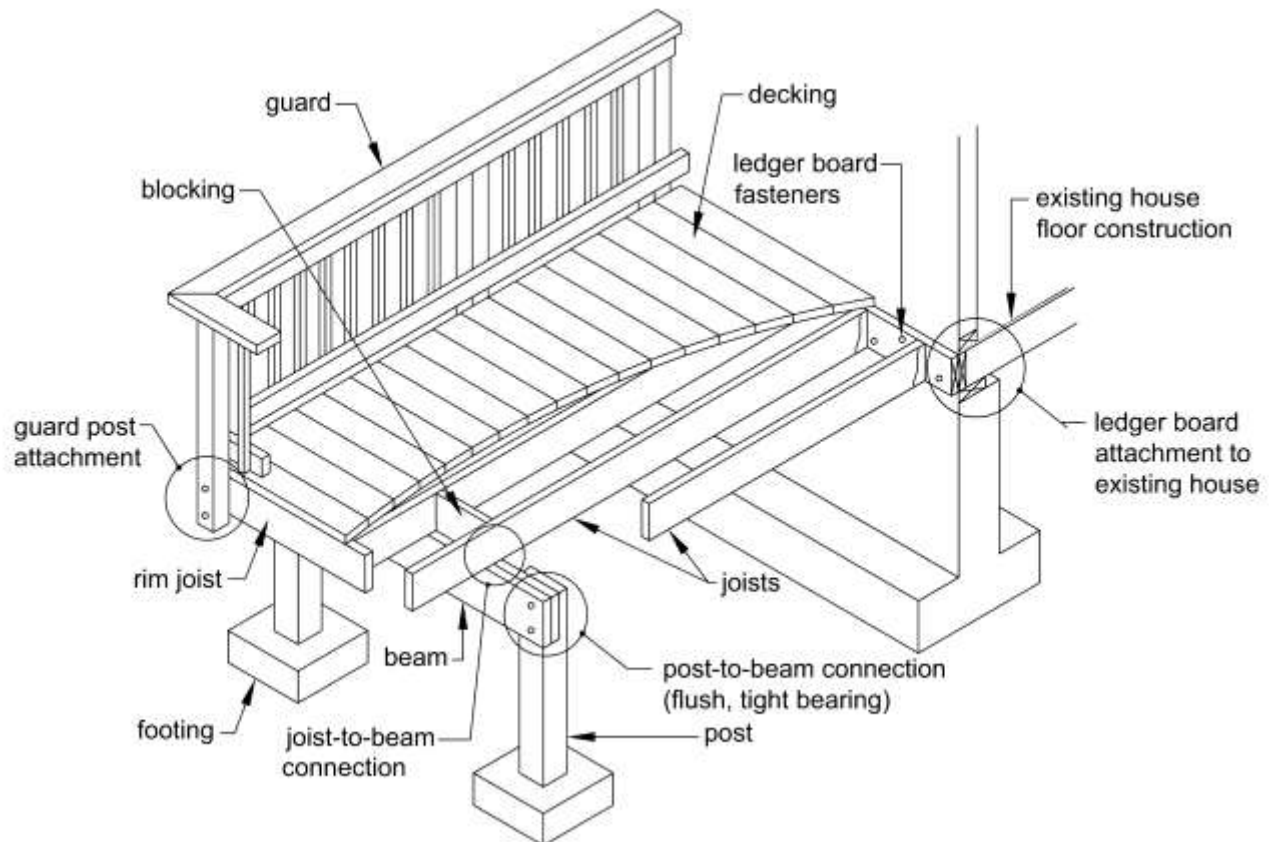


# Design for Code Acceptance



## Prescriptive Residential Wood Deck Construction Guide

Based on the *2015 International Residential Code*



This document is subject to updates and revisions. To ensure that you always have the latest version of the document, follow this link to download a free copy of the most current *Prescriptive Residential Wood Deck Construction Guide*: <http://www.awc.org/pdf/codes-standards/publications/dca/AWC-DCA62015-DeckGuide-1804.pdf>

For information about copyright permission and hyperlinks, follow this link: <http://www.awc.org/copyright>

Additional questions: [info@awc.org](mailto:info@awc.org) or 202-463-2766.